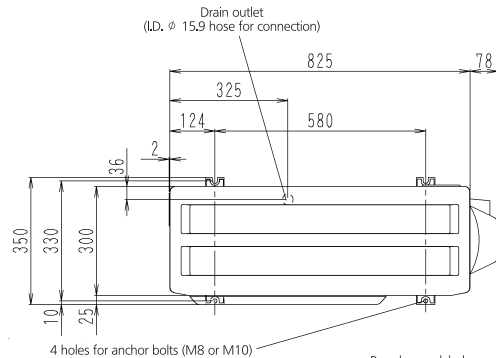


RXS50-60L



Minimum space for air passage

